

BS-405/A

Infrared movement detector for conventional burglar alarm panels



- Shielded input stage to protect against external interference
- 1, 2 or 3 pulse panel activation selection
- Normal or high sensitivity selection to avoid activating from small pets
- Maximum coverage on the vertical axis, 12m.
- Elegant design.

Thank you for your trust in our products
Olympia Electronics - European manufacturer

The BS-405/A movement detector incorporates a special high efficiency, multi-focal and wide angle lens. Microprocessor controlled improved circuitry along with a shielded input stage ensure maximum protection and external interference avoidance thus avoiding false triggering of the device.

The product can be mounted either flat on a wall, at an angle or in a corner depending on the area.

The sensitivity selection can be used to avoid false triggering in the presence of small pets.

1, 2 or 3 pulse activation is used in areas with

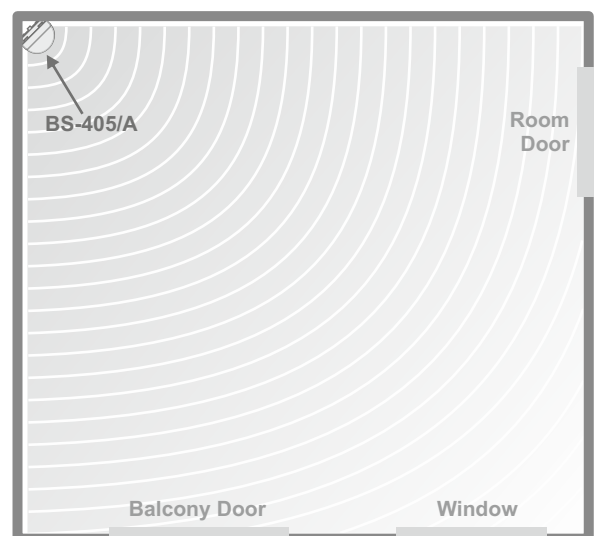
electromagnetic interference to avoid false unwanted alarms.

MOUNTING THE DEVICE

The device must be mounted in such a position in order to permit the biggest possible surveillance. It must be mounted at a height between 2,2 and 2,5 meters and ideally at 2,4 meters.

In order to avoid unwanted false alarms, the detectors must not be mounted in areas that have hot air or air drafts in general such as over radiators. It must not be mounted near devices that emit radio waves such as WiFi repeaters and also must not be in the path of direct sunlight.

If normal sensitivity is selected then care must be taken that house pets do not have access to furniture that is near or at the same height as the detector in order to avoid false triggering. Physical obstructions such as walls, furniture, separators, glass dividers e.t.c must be avoided because they

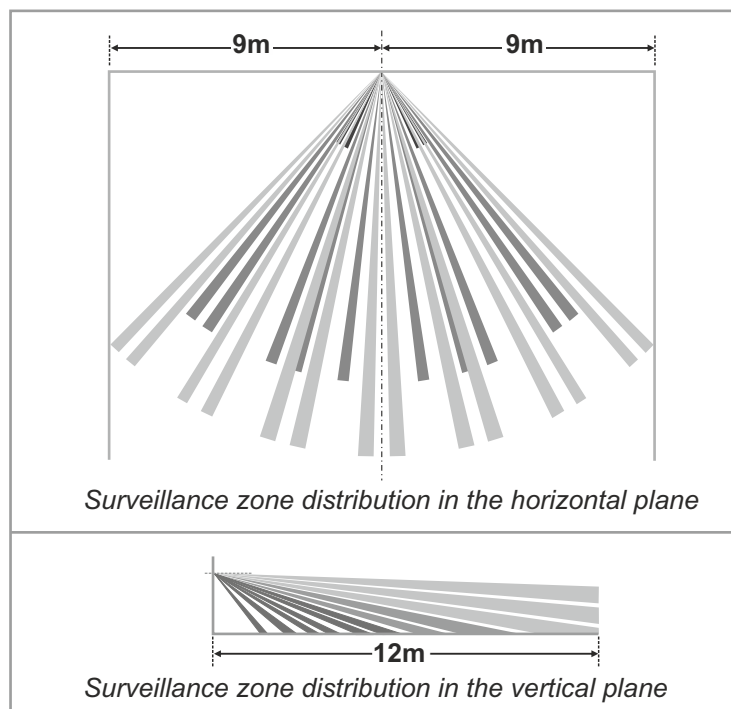


Mounting example in a typical room

MOUNTING THE DEVICE

will degrade the detection area of the detector. The room's ambient temperature is a great factor that plays a significant role in the detection range of the detector. In hot summer months the detection range is degraded and can be compensated if we select high sensitivity during these months.

The product is unsuitable for outdoor use.



INTERNAL LAYOUT AND SETTINGS

To remove the top cover insert a flat blade screw driver in the slot. Push the screw driver gently to unlock the latch and remove the cover.



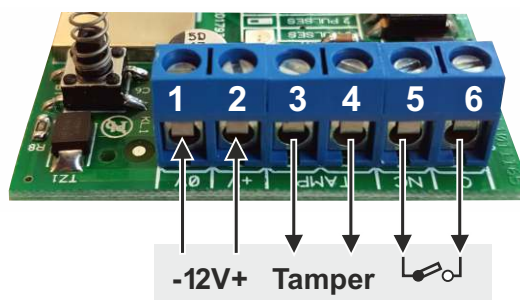
After removing the top cover it is suggested to gently remove the circuit board by removing its retaining screw. Take care not to touch the IR sensor surface. This will affect its operation. Photograph 1 shows the interior of the plastic base as well as the cable entry and mounting hole positions.

To mount the unit to the wall, increase the hole diameter of points **A** to 4 mm. using a suitable drill bit and mount the unit using the supplied mounting accessories.

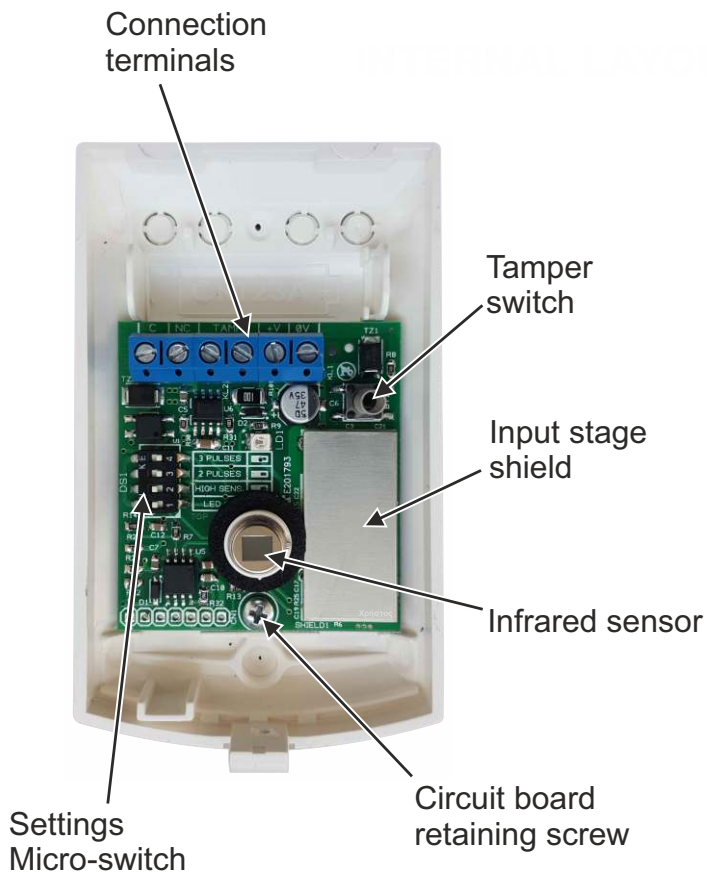
The same can be done if we require to mount the unit at an angle or in a corner. Drill out points **B**, on the side that will have contact with the wall and use the supplied mounting accessories. In corner mounting you can use one screw on each side to mount the unit.

When mounting has been finished reinstall the circuit board, if it was removed, and fasten it using the respective screw. Care should be taken when using the screw driver in order to avoid any damage.

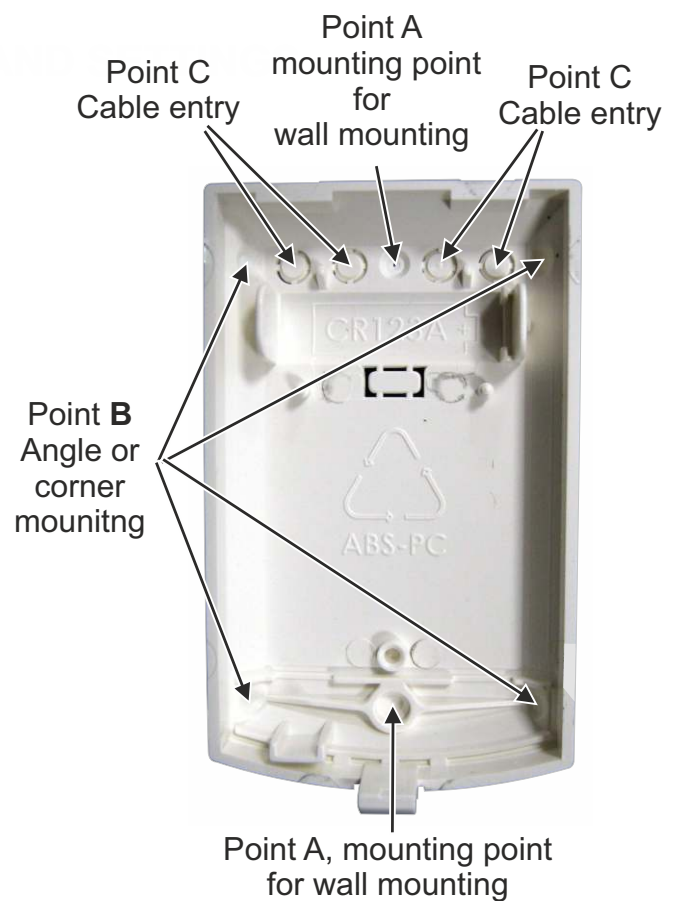
Finally you can complete the required connections as shown below: Contacts 1 & 2 are for powering the device and should be connected to the detector power supply contacts of the panel. Contacts 3 & 4 are connected to the zone marked 24H (24hour zone) and contacts 5 and 6 to any other alarm zone.



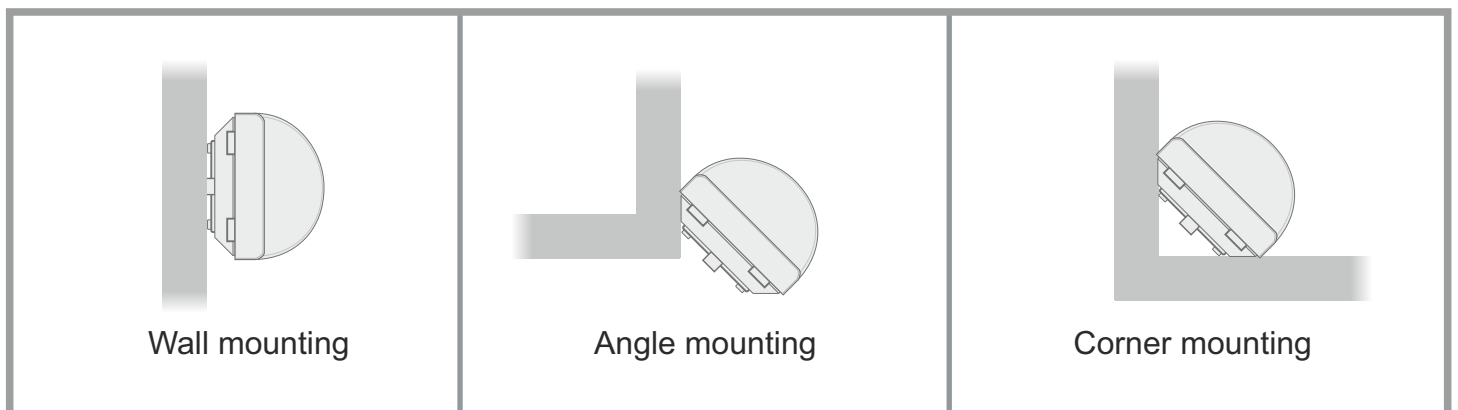
INTERNAL LAYOUT AND SETTINGS (continued)



Photograph 1



Photograph 2



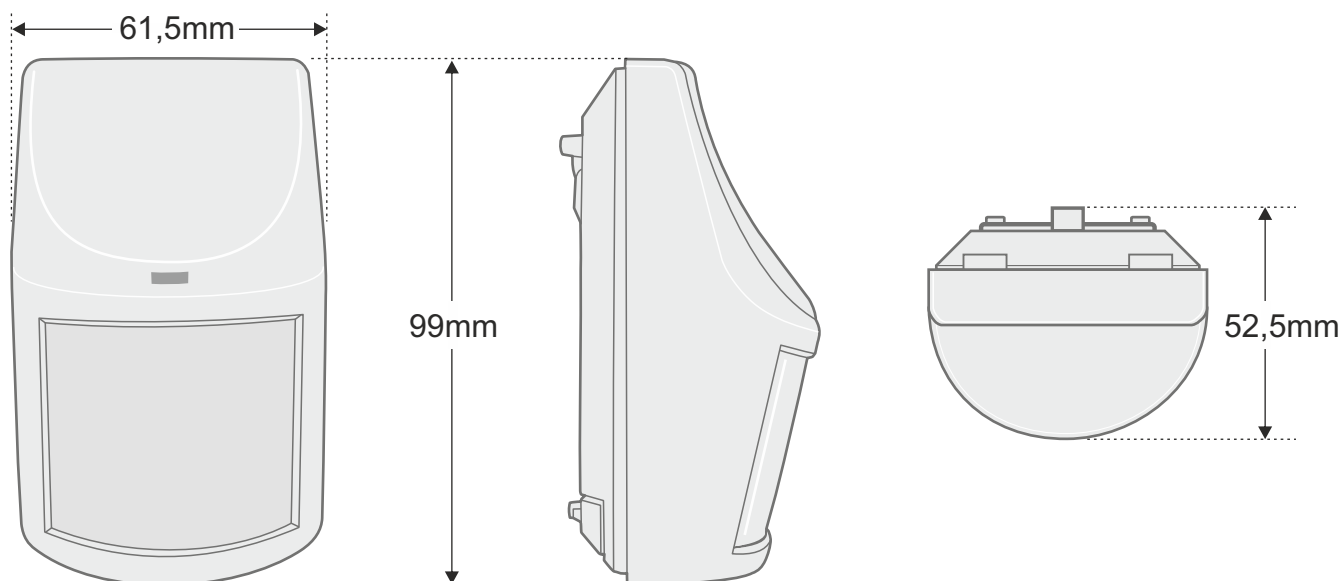
MICROSWITCH SETTINGS

DS1	Switch 1:	Position ON= The indication LED operates and lights with every detection	Position OFF= The LED is not activated
	Switch 2:	Position ON= High sensitivity detector setting	Position OFF= Normal sensitivity detector setting
	Switch 3	OFF 1 pulse	ON 2 pulse
	Switch 4	OFF	ON

High sensitivity must be set only in special cases and must be avoided for general use in order to prevent false triggering of the unit.

“Pulse” defines the full activation of the device. 2 or 3 pulse operation means that the device, after activation goes to quiescent operation and then is triggered for a second or third time before it sends an alarm command. It is proposed the 2 pulse operation for typical city environments, with relatively low electromagnetic noise (factory default). In environments with very low electromagnetic noise the 1 pulse operation can be selected and in very noisy environments, it is proposed the selection of 3 pulse operation.

EXTERNAL DIMENSIONS



TECHNICAL CHARACTERISTICS

OPERATION VOLTAGE	8 - 16V
QUIESCENT CONSUMPTION	12mA
ACTIVATION CONSUMPTION	14mA
DETECTION RANGE	9 - 12 meters, adjustable
ACTIVATION TIME	0.25 - 0.3 sec.
OUTPUT RELAY RATING	30V - 0.2A DC
INITIAL SETUP TIME	1 minute (the indication led blinks)
OPERATION TEMPERATURE RANGE	-10 to 50°C
RELATIVE HUMIDITY	Up to 95%
DEGREES OF PROTECTION	2
ENVIRONMENTAL CLASS	II
DEGREES OF COVER PROTECTION	IP40
PRODUCED IN ACCORDANCE WITH	EN50131-1, EN50131-2-2, EN50130-4, EN61000-6-3
CONSTRUCTIONAL MATERIAL	Bayblend Fr3010
EXTERNAL DIMENSIONS	99 x 61 x 54 mm
TYPICAL WEIGHT	70 gr.
GUARANTEE	2 years

WARRANTY

Olympia Electronics guarantees the quality, condition and operation of the goods. The period of warranty is specified in the official catalogue of Olympia Electronics and also in the technical leaflet, which accompanies each product. This warranty ceases to exist if the buyer does not follow the technical instructions included in official documents given by Olympia Electronics or if the buyer modifies the goods provided or has any repairs or re-setting done by a third party, unless Olympia Electronics has fully agreed to them in writing. Products that have been damaged can be returned to the premises of our company for repair or replacement, as long as the warranty period is valid. Olympia Electronics reserves the right to repair or to replace the returned goods and to or not charge the buyer depending on the reason of deflection. Olympia Electronics reserves the right to charge or not the buyer the transportation cost.

HEAD OFFICE

72nd km. O.N.R. Thessaloniki-Katerini
P.C. 60300 P.O. Box 06 Eginio Pierias Greece

www.olympia-electronics.gr
info@olympia-electronics.gr