

## Installation instructions:



# AKRAPOVIC SLIP-ON EXHAUST SYSTEM for the YAMAHA YZ 250F ; WR250F

Congratulations on purchasing an Akrapovic exhaust system. Please read these installation instructions carefully. If you have any trouble installing the system please contact your authorized dealer!

### IMPORTANT INFORMATION

#### Exclusion of Certain Liability

1. The manufacturer, importer or dealer shall not be liable for any incidental damage including personal injury or any other damages caused by improper installation or operation of the Akrapovic exhaust system. When installing the Akrapovic exhaust system be careful that the exhaust system does not touch other parts sensitive to high temperature.
2. Akrapovic makes no representation or warranties with regard to damage caused by the improper installation, use and maintenance of the Akrapovic exhaust system. The warranty is limited to defects recognized by our technical department and to normal use, and excludes items subject to normal wear (gaskets and damping wool). The guarantee is void in case of accident, modification, improper or competition use.
3. Do not attempt to install the Akrapovic exhaust system on a motorcycle for which it was not made or tested by Akrapovic.
4. When the exhaust system gets very hot during operation, be careful not to burn yourself on the exhaust system or parts which are in direct contact with it, even when the motor is not running. Also protect other people, especially children, from the injuries mentioned above.
5. In some cases Akrapovic exhaust system kits contain chemical products (ceramic anti-seizing grease; bolt sealant). Handle with care, do not inhale or swallow. Avoid excessive contact with skin, eyes or mucous membranes. Keep out of reach of children.
6. Technical specifications of Akrapovic exhaust systems and related products subject to change without notice.

#### Trademarks

The Akrapovic Exhaust System Technology logo is a registered trademark of Akrapovic d.d.

#### Akrpovic website

Information about Akrapovic exhaust systems and related products is available on the Akrapovic website at:  
<http://www.akrapovic.com/>

#### Copyright

No part of the Akrapovic exhaust system or its documentation may be reproduced or distributed in any form or by any means without the prior written authorization of the Akrapovic company.

© Akrapovic, d.d. All rights reserved.

#### Symbols

The following symbols are used throughout these installation instructions:



**USE BOLT SEALANT;** Apply 3 to 4 small drops of bolt sealant onto the cleaned and degreased threads before tightening bolts. **WARNING! Avoid contact with skin, eyes and mucous membranes. Do not inhale fumes. Keep out of the reach of children.**



**USE ANTI-SEIZING GREASE (white tube);** Prevents seizing, corrosion and excessive wear between the titanium components of your exhaust system. **WARNING! Avoid eye contact. Avoid excessive skin contact. Keep out of the reach of children.**



**USE ANTI-SEIZE LEAD-FREE COPPER PASTE (black tube);** Provides trouble-free and long-lasting protection against seizing, corrosion and rusting of bolts, threaded ends, nuts, joints, etc. Also protects against vibration, wear and impact. **WARNING! Avoid eye contact. Avoid excessive skin contact. Keep out of the reach of children.**

## **INSTALLATION INSTRUCTIONS**


 **BEFORE INSTALLING CHECK SCHEMATIC OF THE EXHAUST SYSTEM!**

**!** IF ANY ITEMS IN THE AKRAPOVIC EXHAUST SYSTEM PACKAGE ARE MISSING PLEASE CONTACT YOUR AUTHORIZED DEALER. KEEP THE SCHEMATIC FOR FUTURE REFERENCE.

**!** THESE INSTALLATION INSTRUCTIONS MUST BE READ CAREFULLY IN ORDER TO ENSURE PROPER INSTALLATION AND OPERATION OF THE AKRAPOVIC EXHAUST SYSTEM.

**!** THE EXHAUST SYSTEM CAN BE EXTREMELY HOT. ALLOW THE MOTORCYCLE TO COOL DOWN BEFORE BEGINNING INSTALLATION.

 **WE ADVISE YOU TO LEAVE INSTALLATION TO A QUALIFIED SERVICEMAN. IMPROPER INSTALLATION MAY RESULT IN A SHORTER LIFETIME OF THE EXHAUST SYSTEM AND/OR DAMAGE TO THE MOTORCYCLE.**

 T-handle 10mm wrench  
T-handle 5mm three hexagon key wrench  
T-handle 12mm wrench  
T-handle 13mm wrench

### **REMOVAL OF STOCK EXHAUST SYSTEM**

1. Put the motorcycle on a side stand, we recommend a racing stand.
2. For easier access to the muffler remove the rear right panel (**Figure 1, 2**).



*Figure 1*



*Figure 2*

3. Unscrew the bolt from the metal clamp at the link pipe – header tube joint (**Figure 3**).



*Figure 3*

4. Unscrew and remove the bolt from the metal bracket for the link pipe (**Figure 4**).



*Figure 4*

5. Unscrew and remove the bolt from the muffler metal bracket (**Figure 5**).



*Figure 5*

6. Remove the muffler together with the link pipe (**Figure 6**).



*Figure 6*

## INSTALLATION OF THE AKRAPOVIC SLIP-ON EXHAUST SYSTEM

### Installing the link pipe with welded muffler:

1. Install graphite sleeve gasket into the link pipe (**Figure 7**).



Figure 7

2. Coat the bolt and interior of the metal clamp with Akrapovic anti-seize lead-free copper paste (black tube) and correctly install the metal clamp onto the link pipe (**Figure 8**).



Figure 8

3. Correctly position the carbon-fiber clamp and slide it onto the muffler - bear in mind the left offset of the carbon-fiber clamp viewed from the rear. **WARNING:** open the clamp to slightly wider than the diameter of the outer sleeve of the muffler – do not scrape it along the muffler outer sleeve! (**Figure 9**).



Figure 9

4. Correctly position the muffler with the link pipe and slide them onto the header tube (**Figure 10**).



*Figure 10*

5. Hand tighten the bolt of the link pipe hanging bracket (**Figure 11**).



*Figure 11*

6. Attach the carbon-fiber clamp to the stock chassis hanging bracket – use the bolts, washer and spacers supplied in the Akrapovic kit. Do not fully tighten. Make sure the additional parts from the Akrapovic kit are correctly installed (**Figure 12, 13, 14**).



*Figure 12*



*Figure 13*



Figure 14

7. Make sure the link pipe is not touching the frame and other parts of the motorcycle.

**Final installation:**

1. Tighten fully the bolts of the muffler clamp, link pipe bracket and metal clamp (Figure 15, 16, 17).



Figure 15

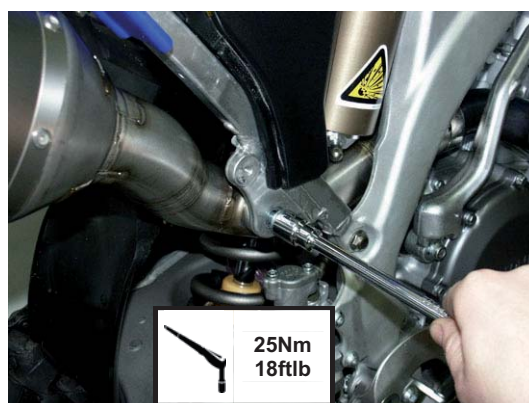


Figure 16

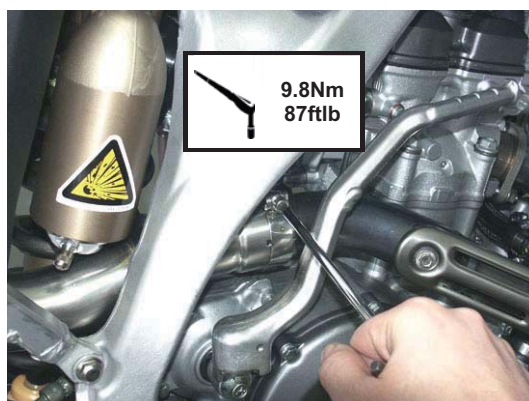
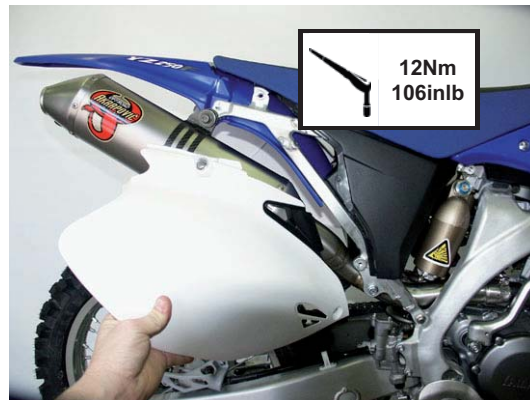


Figure 17

2. Clean grease spots:
  - a. Muffler – titanium outer sleeve: use a soft cloth sprayed with a multi-purpose spray lubricant (WD-40 or equivalent).
  - b. Stainless steel link pipe: use a soft cloth sprayed with a contact cleaner, then wipe with a soft dry cloth.Cleaning will prevent spots from burning onto the surface. Do not use aggressive chemical cleaners, because they can damage the sticker.
3. Reattach the rear panel (**Figure 18**).



*Figure 18*

4. Position of the correctly installed Akrapovic SLIP-ON system (**Figure 19, 20, 21**).



*Figure 19*



Figure 20



Figure 21



5. Check the operation of the brakes and suspension. Make sure all the bolts are sufficiently tightened. In case the exhaust system touches the cowling or other parts repeat the adjustment of the exhaust system or contact your authorized dealer.

**! IT IS NORMAL IF WHITE SMOKE COMES OUT OF THE MUFFLER ON FIRST OPERATION.**

**! DO NOT STAND BEHIND THE MUFFLER ON FIRST OPERATION.**

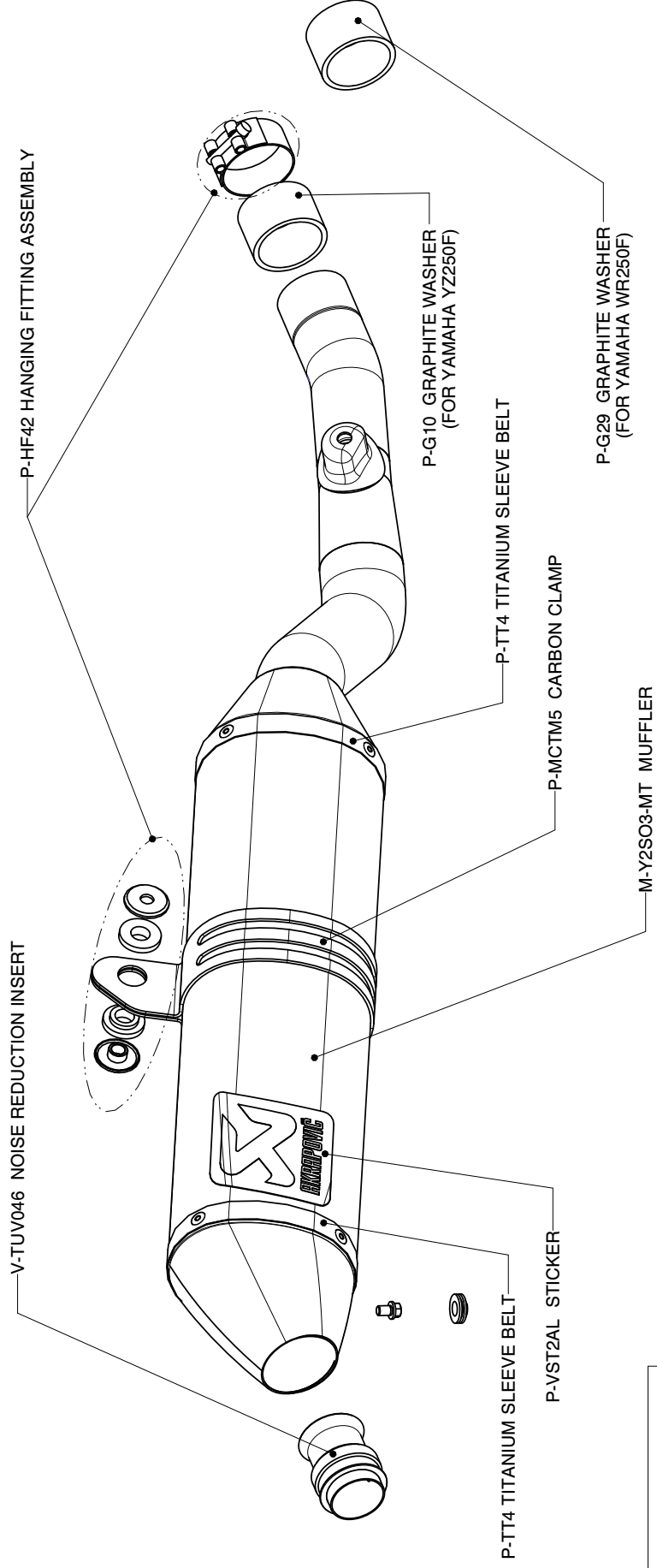
**! DO NOT USE AUTOMOTIVE WHEEL CLEANERS OR ANY CLEANING PRODUCTS WHICH CONTAIN ACIDIC ADDITIVES TO CLEAN AKRAPOVIC EXHAUST SYSTEMS.**

#### **MAINTENANCE OF THE AKRAPOVIC EXHAUST SYSTEM**

1. Clean the titanium muffler outer sleeve with a multi-purpose spray lubricant (WD-40 or equivalent). Do not use aggressive chemical cleaners, because they can damage the sticker. A change in the color of the exhaust system is normal due to the high temperatures.
2. The wearing out of the muffler silencing material depends on the type of the motor and riding style. Contact your dealer/serviceman if visible changes appear on muffler's outer sleeve or the noise level is increased.
3. Periodically make sure all the bolts and springs are sufficiently tight.

Yamaha YZ250F Slip-on line  
 Yamaha WR250F Slip-on line

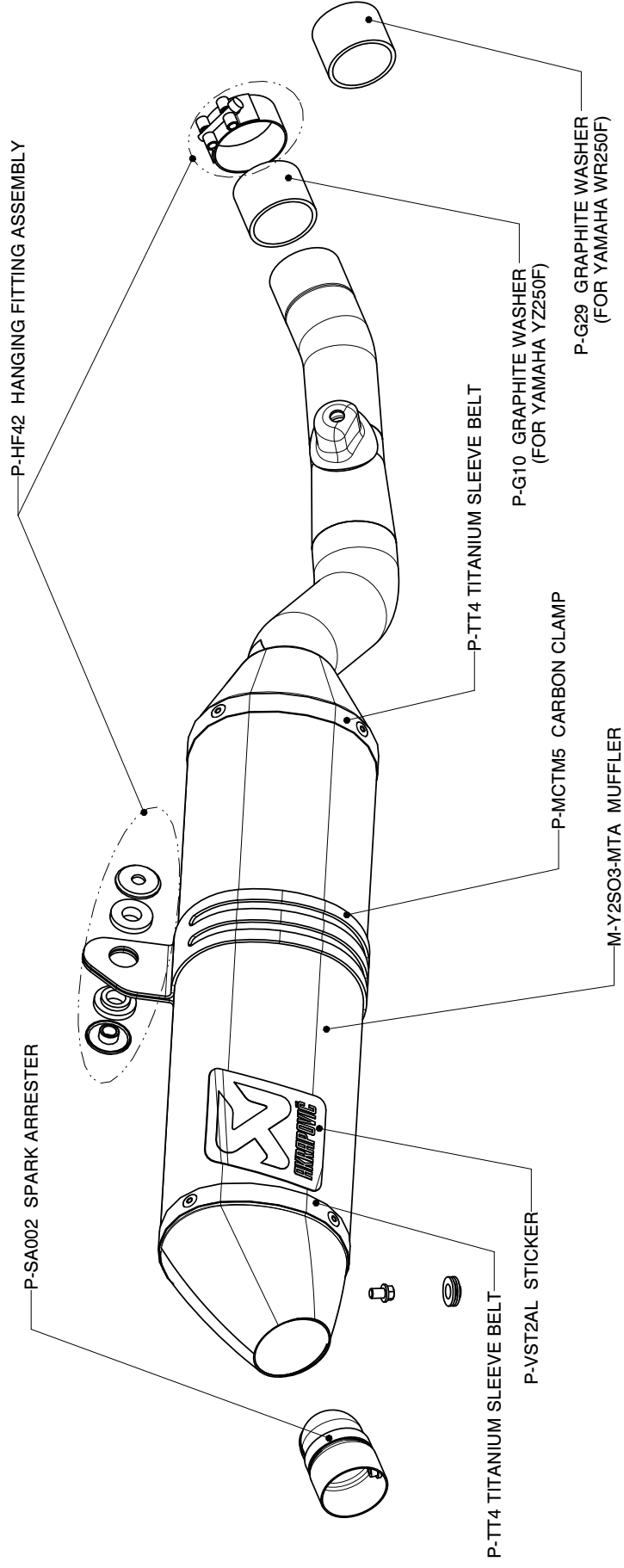
Product code: S-Y2SO3-MT



MUFFLER REPAIR KITS	
KIT	Part Nr.
REPACK	P-RPCK10
SLEEVE	P-RKS59TM36

Yamaha YZ250F Slip-on line with spark arrester  
 Yamaha WR250F Slip-on line with spark arrester

Product code: S-Y2SO3-MTA



MUFFLER REPAIR KITS	
KIT	Part Nr.
REPACK	P-RPCK10
SLEEVE	P-RKS59TM36

**WARNING:**

Please note that certain aftermarket exhaust systems may not comply with applicable California laws and regulations, and may therefore be prohibited for use on California highways or roads, or on roads or vehicles otherwise subject to emissions control requirements.

Akrapovič exhaust systems for automobiles and motorcycles mounted downstream of the catalytic converter (also known as “cat-back systems”) are considered “replacement parts” in California by the California Air Resources Board (CARB), and do not require an exemption or executive order from CARB to be sold in California. However, California prohibits the use of any aftermarket exhaust system that modifies, removes or replaces original equipment catalysts, unless CARB has issued an Executive Order as to such part or system.

Further, Akrapovič parts or exhaust systems used or intended for use on “racing vehicles” (i.e. a competition vehicle used exclusively for competition on closed-course circuits) do not require an exemption or Executive Order from CARB to be sold in California. However, such parts are prohibited from use on California public highways or roads, even if occasionally used “off-road.”