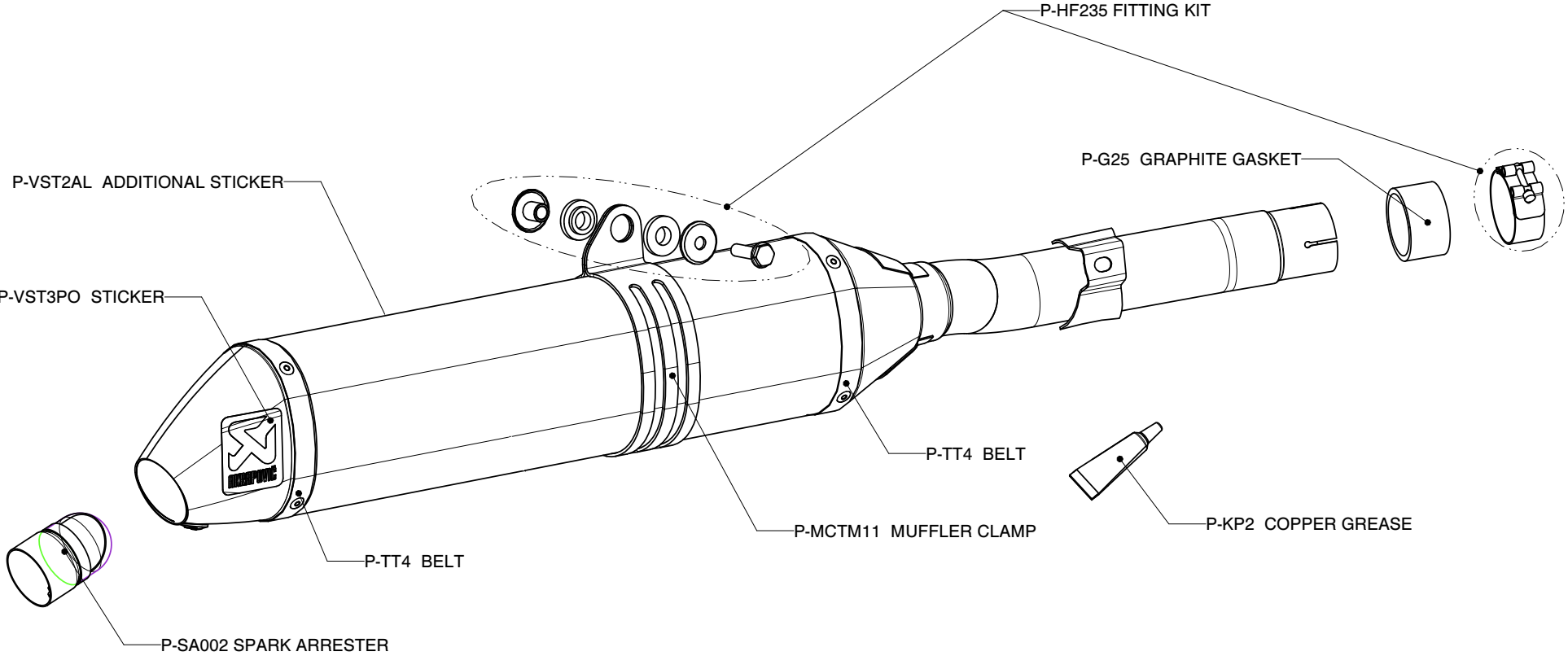


SUZUKI RM-Z 250, Slip-on system with spark arrester

Product code: S-S2SO1-MTA



MUFFLER REPAIR KITS

REPACK	P-RPCK10
SLEEVE	P-RKS40TM33